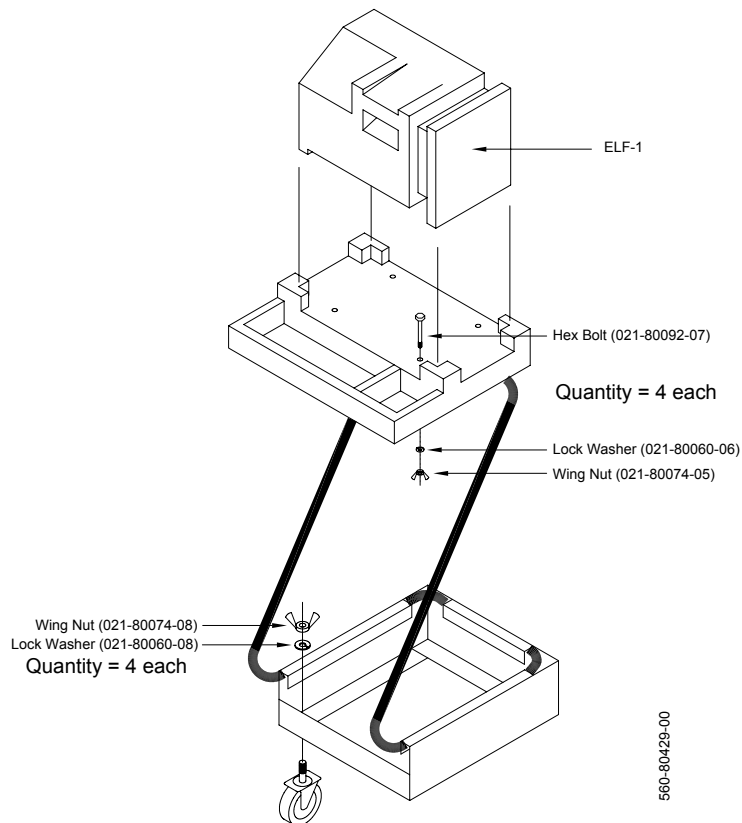


Assembly Instructions

ELF Cart

NO TOOLS REQUIRED



- 1) Unpack all parts and verify that all items shown were received.
- 2) Turn cart on side and install the four casters - using wing nuts and lock washers.
- 3) Turn cart upright so it's resting on the casters.
- 4) Install the plastic tray on the cart - inserting the hex bolts into the mating holes. Note the orientation of the tray as shown above.
- 5) Secure the tray using four wing nuts and lock washers.
- 6) Set the ELF on the tray.



RTI Technologies, Inc.
10 Innovation Drive
York, PA 17402
Phone: 717-840-0678
E-mail: tech@rtitech.com
Web: www.rtitech.com

560-80430-00