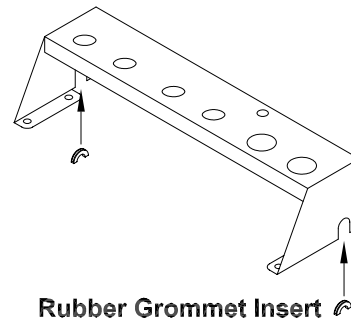


MCX Storage Bracket Installation Instructions

1. Install rubber grommet inserts in two slots.



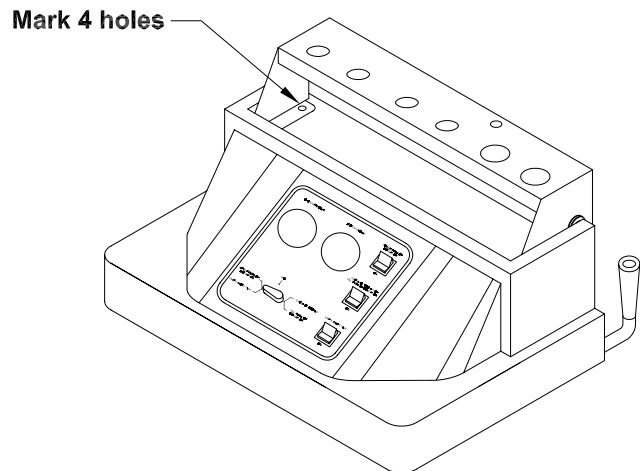
2. Set bracket on top of MCX so grommets fit snugly on the rear lip of the tool tray.

3. Mark plastic top of MCX at centers of 4 holes in the bracket, using a sharp pointed tool.

4. Remove bracket and drill 4 holes at the marks made in Step 3.

Use a 1/4 in. drill and use caution to only drill through the plastic top.

Do not allow drill bit to extend into the top as hoses can be punctured.



5. Set bracket back on the MCX.

Install a plastic fastener at each hole in the bracket to secure it in place on the MCX.

6. Place adapters, hoses and clamps on bracket and in the tool tray.

