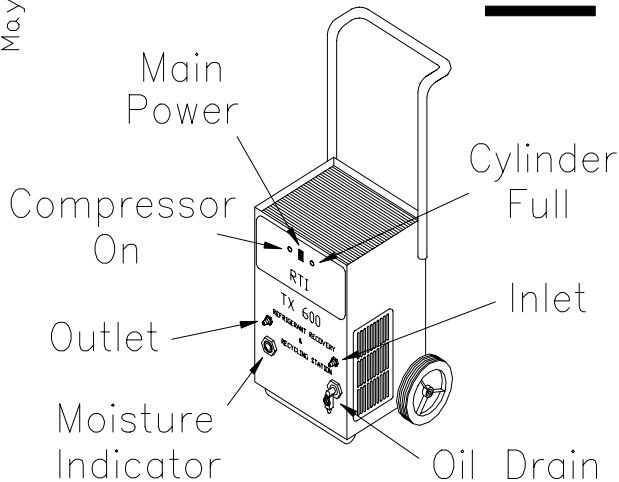


May 1996

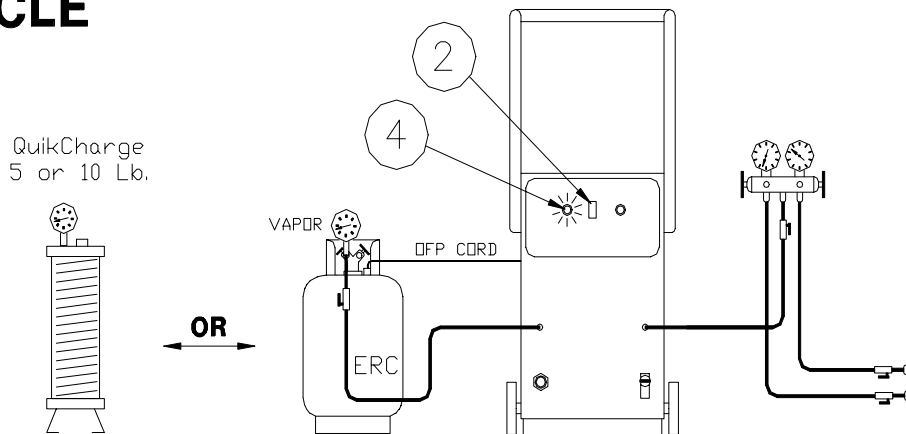
RTI OPERATION GUIDE



Model TX600
R12 & R134a

SEE MANUAL FOR CAUTIONS

RECYCLE

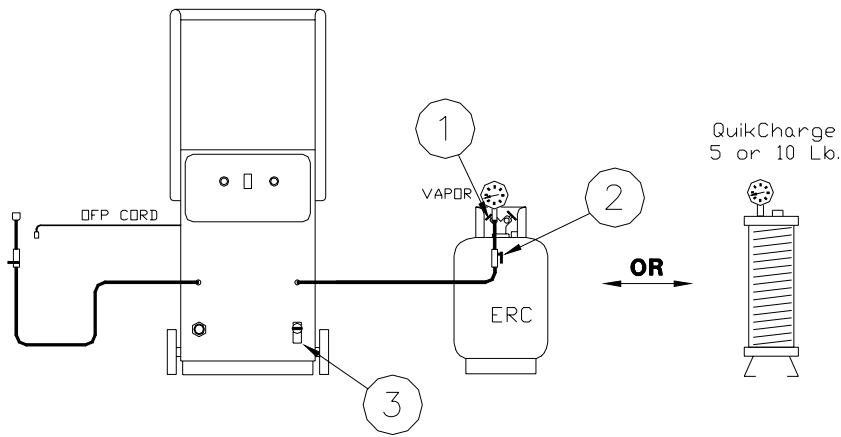


- 1 Connect Hoses & OFF Cord
- 2 Set to ON
- 3 Recover/Recycle refrigerant from A/C System High & Low Sides
- 4 When light stays OFF for at least 2 minutes Recovery is complete
- 5 Purge Air (See Back of this Card)

CHARGE

Use QuikCharge Cylinder or Weight Scale and the ERC Cylinder to re-charge the A/C System with refrigerant

AIR PURGE GUIDE



NOTE:

Following Air Purge is only required immediately before charging refrigerant or if ERC pressure exceeds 200 PSI

- 1 Open Vapor Valve on Cylinder
- 2 Slightly Open Hose Valve until pressure on Gauge decreases 2 PSI
- 3 Slowly open Drain Valve to vent Air and drain oil
Leave Drain Valve open
- 4 Refer to Chart and open Hose Valve until pressure equals that shown for the ambient temperature
- 5 Close Oil Drain Valve
- 6 Open Hose Valve for approximately 5 Seconds

°F	R12 PSIG	R134a PSIG
30	42	40
32	44	42
34	46	44
36	48	46
38	50	49
40	52	51
42	54	54
44	57	56
46	59	59
48	61	61
50	64	64
52	66	67
54	69	70
56	72	72
58	74	76
60	77	78
62	80	82
64	83	85
66	85	88
68	88	92
70	92	95
72	95	97
74	98	104
76	102	107
78	105	110
80	108	114
82	112	118
84	115	123
86	118	127
88	123	130
90	127	135
92	130	140
94	135	145
96	138	148
98	143	153
100	147	157
102	150	163
104	155	167
106	160	173
108	165	180
110	168	185
112	173	190
114	178	195
116	183	200
118	188	207
120	193	213

P/N 035-80229-01